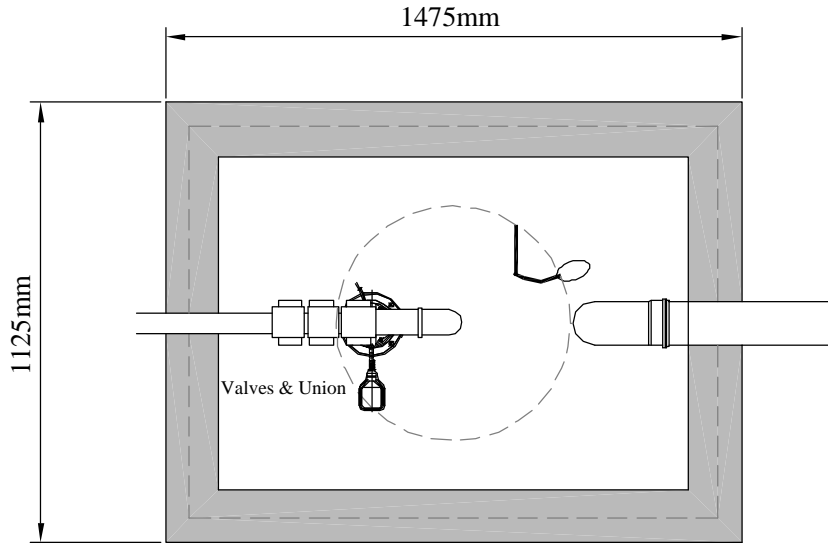
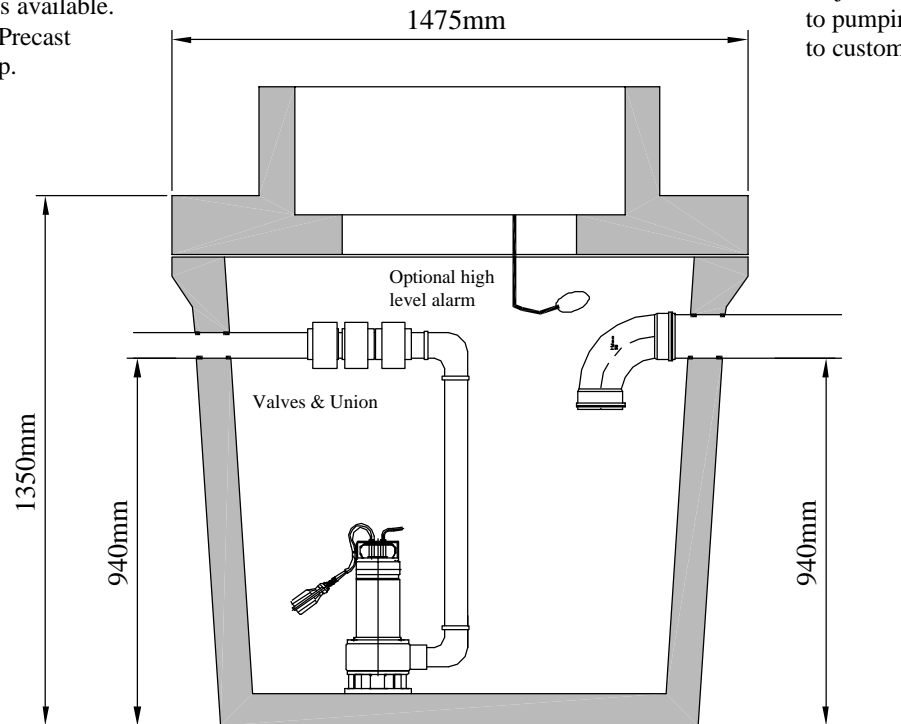


Pumping Station J-Tank Volume (850 litres) .




Variety of pumps available.
Contact Molloy Precast
for suitable pump.

Adjustments can be made
to pumping station according
to customer requirements.



All tanks must be placed on a perfectly
level and firm suitable base.

This drawing is ©. All rights reserved.

	E-mail: info@molloyprecast.com Web: www.molloyprecast.com	Molloy Precast Products Ltd. Coleraine, Clara Road, Tullamore, Co.Offaly. Tel: 05793 26000 Fax: 05793 26060	Pumping Station: J-Tank Volume (850 lit)	Note: See PDF for excavation details & safety regulations.
	Tank Size: 1475mm x 1125mm Height: 1350mm Volume: 850 liters Weight: 750 Kg.		Note: Specify hole drilling requirements. All civil works by customer.	
			(Tank Dim: ± 20mm. Weight: ± 30Kg.)	Note: Do NOT scale from drawings. Drawings for illustration purposes only.