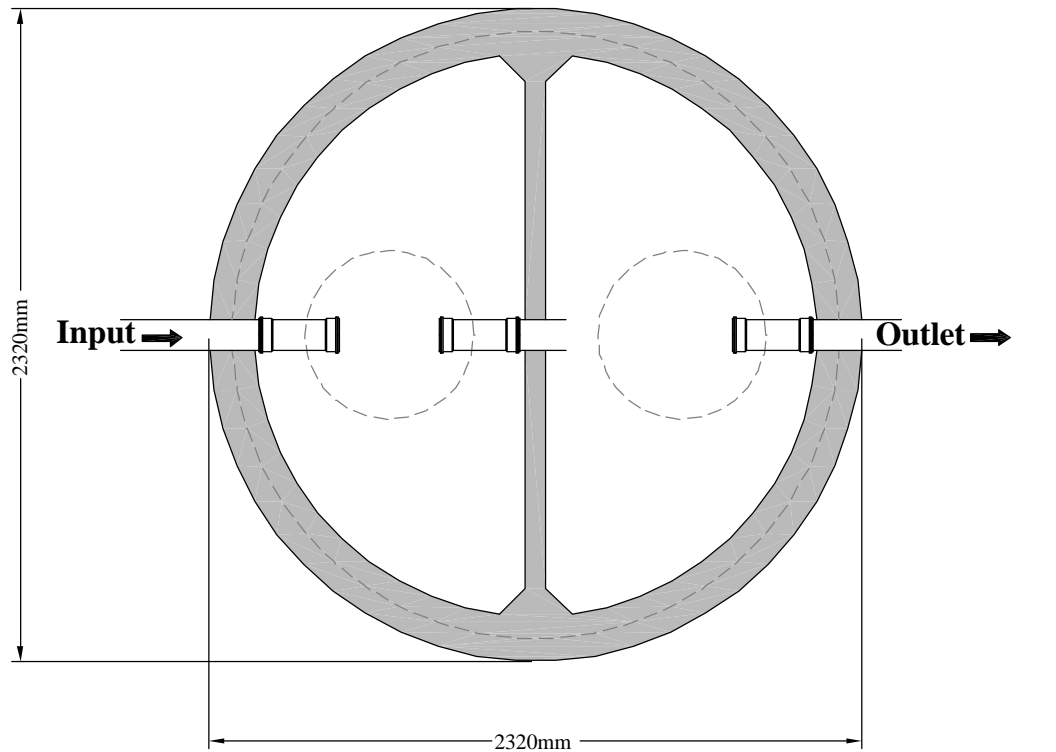
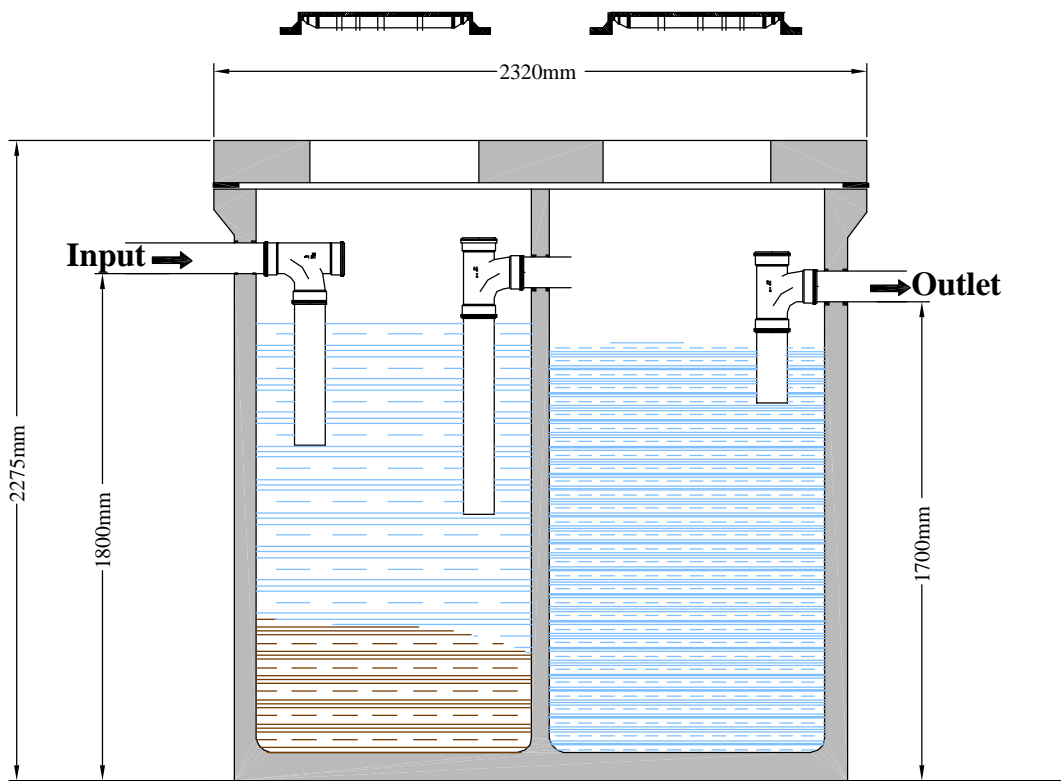


S. Septic Tank




Locking steel manhole covers.



Connection to percolation area must insure that no runback is possible.

A good, firm, rock free, level base is required.

This drawing is ©. All rights reserved.

 Aswasep from MOLLOY PRECAST	E-mail: info@molloyprecast.com Web: www.molloyprecast.com	Molloy Precast Products Ltd. Coleraine, Clara Road, Tullamore, Co.Offaly. Tel: 05793 26000 Fax:05793 26060	Tank Type S Septic Tank Tank Size: 2320mm Ø (Overall) Height: 2275mm Volume: 6200 liters Weight: 4200 Kg.	Note: See pdf for excavation details & safety regulations. Note: Specify hole drilling requirements. All civil works by customer. Note: Do NOT scale from drawings. Drawings for illustration purposes only.
				(Tank Dim: ± 20mm. Weight: ± 30Kg.)