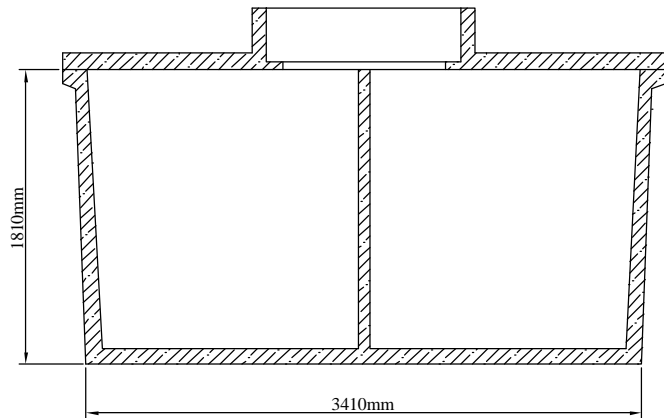
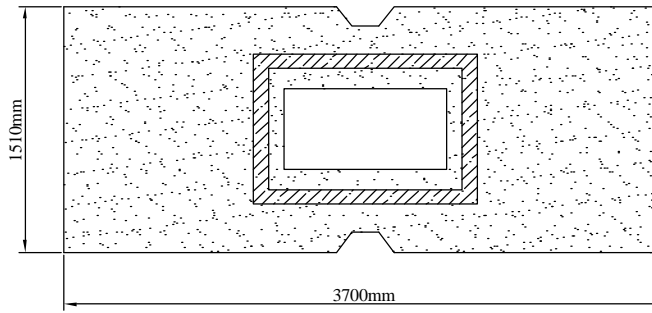


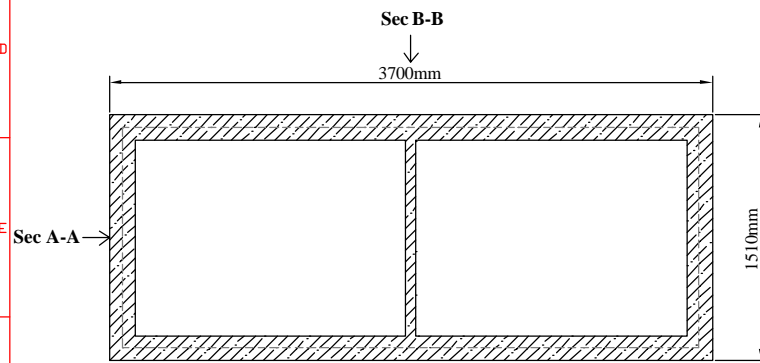
Tank Type: F Tank



**Tank Vertical Section
(Through Section A-A)**

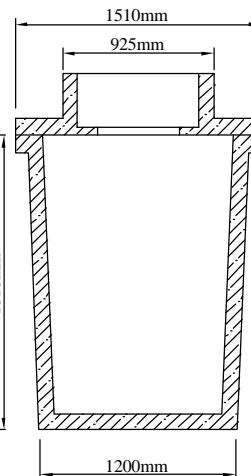


Lid Top Plan

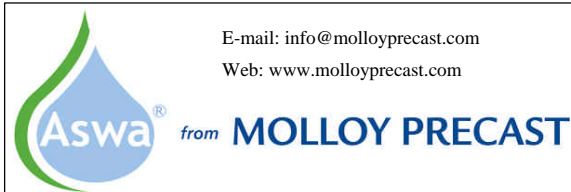
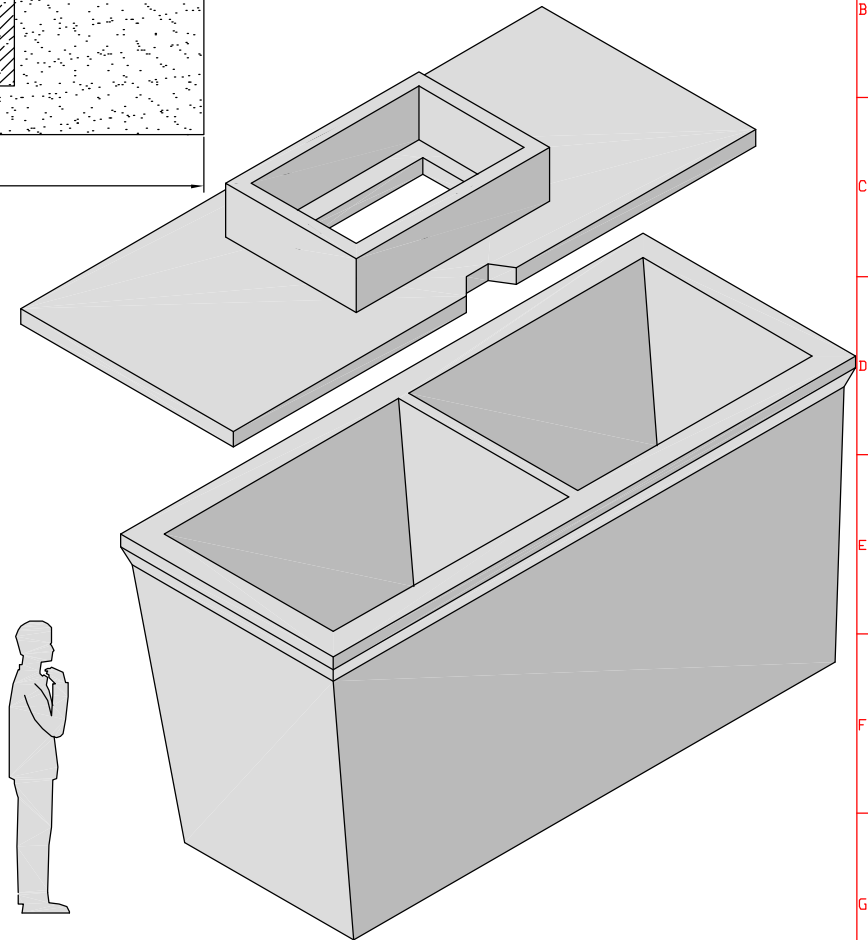


Tank Top Plan

Sec B-B



**Tank Vertical Section
(Through Section B-B)**



E-mail: info@molloyprecast.com
Web: www.molloyprecast.com

Molloy Precast Products Ltd.
Coleraire, Clara Road,
Tullamore, Co.Offaly.
Tel: 05793 26000
Fax: 05793 26060

Tank Type	F Tank
Tank Size	3700mm x 1510mm
Height	1810mm ex. lid & manhole
Volume	6100 liters
Weight	5700 Kg. ex.lid
(Tank Dim: ± 20mm. Weight: ± 30Kg.)	

Note: See reverse for excavation details & safety regulations.

Note: Specify hole drilling requirements. All civil works by customer.

Note: Do NOT scale from drawings. Drawings for illustration purposes only.

This drawing is ©. All rights reserved.