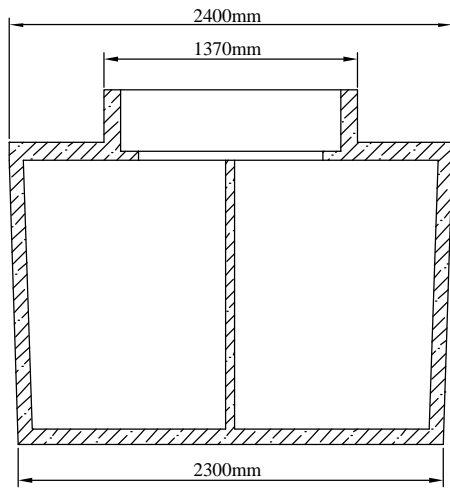
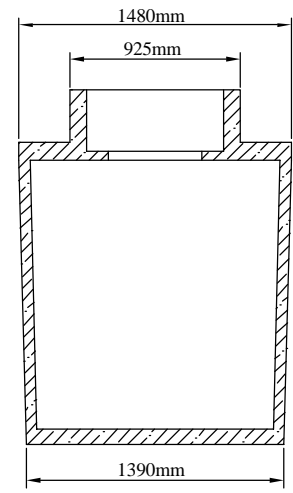


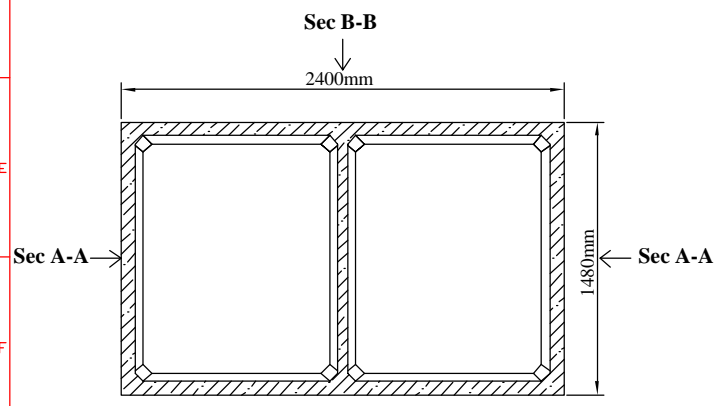
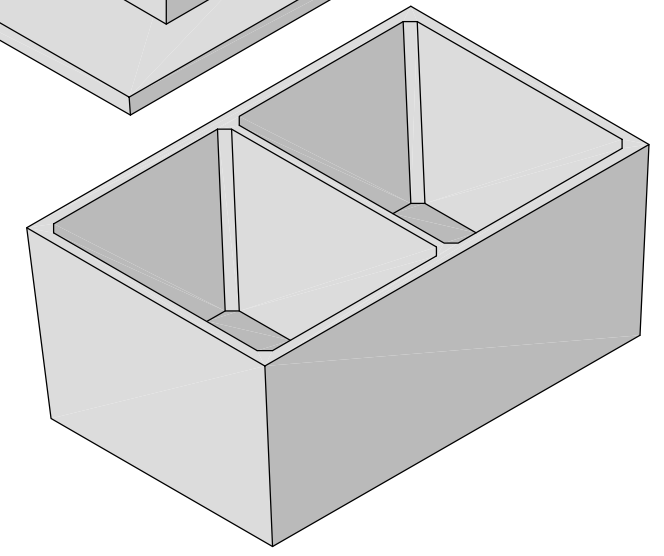
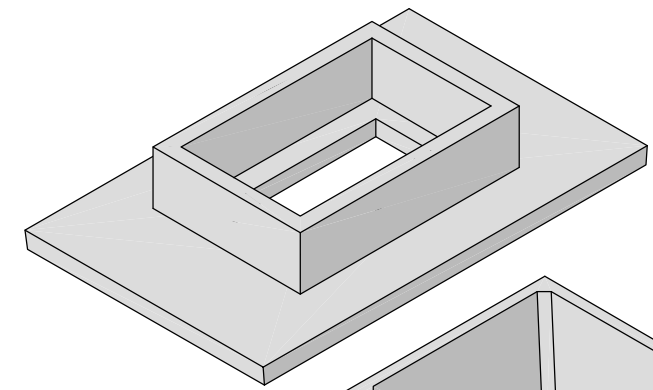
Tank Type: G Tank



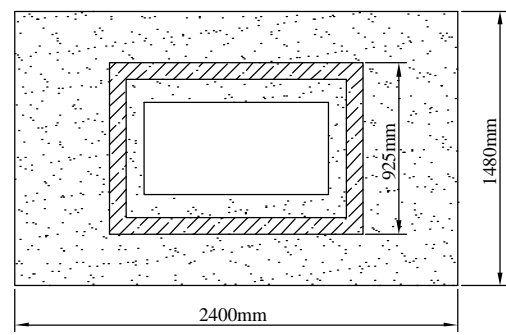
**Tank Vertical Section
(Through Section A-A)**



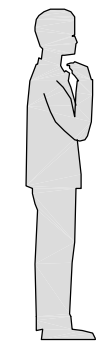

**Tank Vertical Section
(Through Section B-B)**



Tank Top Plan



Lid Top Plan

from **MOLLOY PRECAST**

E-mail: info@molloyprecast.com
 Web: www.molloyprecast.com

Molloy Precast Products Ltd. Coleraine, Clara Road, Tullamore, Co.Offaly. Tel: 05793 26000 Fax:05793 26060	Tank Type G Tank Tank Size: 2400mm x 1480mm Height: 1550mm ex. lid & manhole Volume: 4100 liters Weight: 3180 Kg. ex.lid (Tank Dim: ± 20mm. Weight: ± 30Kg.)
--	--

Note: See reverse for excavation details & safety regulations.

Note: Specify hole drilling requirements. All civil works by customer.

Note: Do NOT scale from drawings. Drawings for illustration purposes only.

This drawing is ©. All rights reserved.