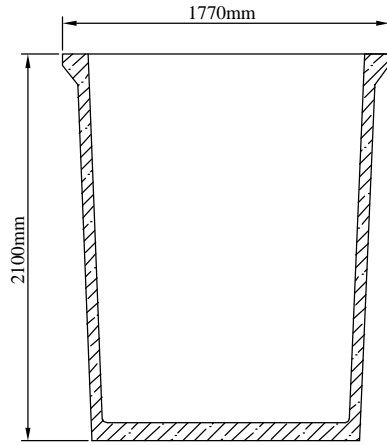
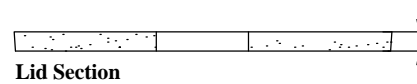
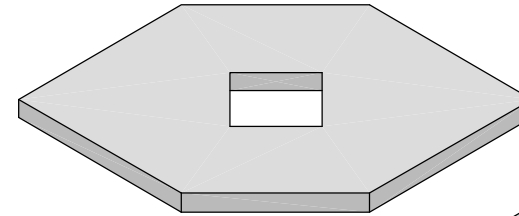


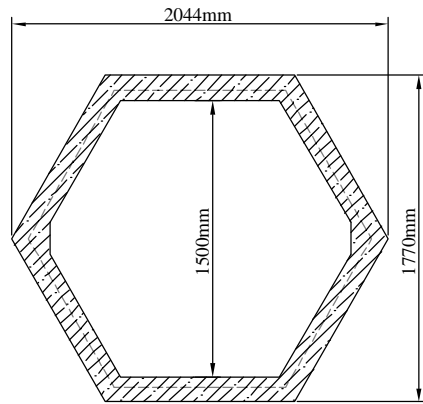
Tank Type: H 3.5 Tank



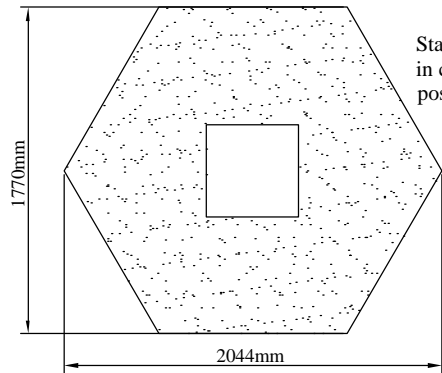
Tank Vertical Section



Lid Section

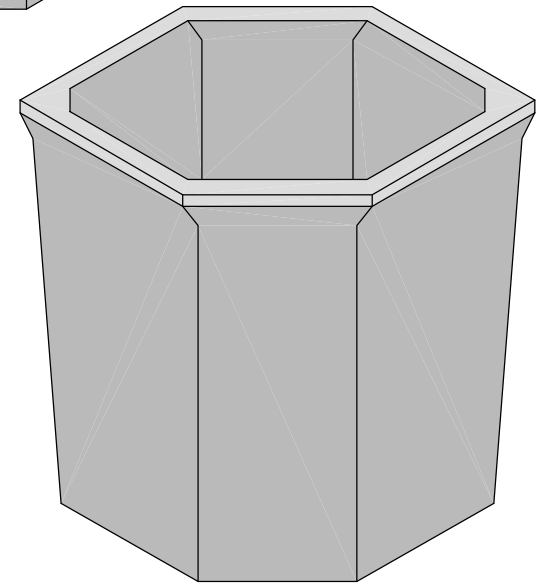



Tank Top Plan



Lid Top Plan

Standard 500mm manhole in center, other sizes and positions to order

from **MOLLOY PRECAST**

E-mail: info@molloyprecast.com
 Web: www.molloyprecast.com

Molloy Precast Products Ltd.
 Coleraine, Clara Road,
 Tullamore, Co.Offaly.
 Tel: 05793 26000
 Fax:05793 26060

Tank Type	H 3.5 Tank
Tank Size:	2044mm x 1770mm
Height:	2100mm ex. lid & manhole
Volume:	3500 liters
Weight:	1800 Kg. ex.lid
(Tank Dim: ± 20mm. Weight: ± 30Kg.)	

Note: See reverse for excavation details & safety regulations.

Note: Specify hole drilling requirements. All civil works by customer.

Note: Do NOT scale from drawings. Drawings for illustration purposes only.

This drawing is ©. All rights reserved.