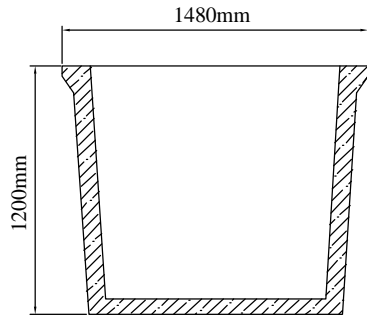
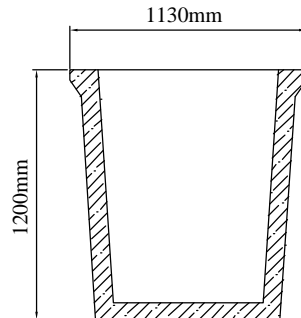


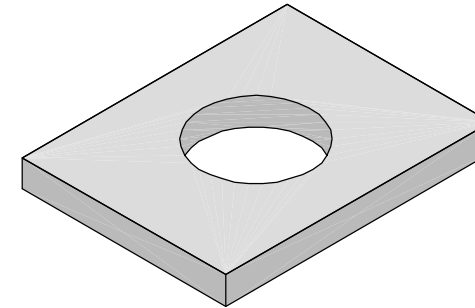
# Tank Type: J Tank



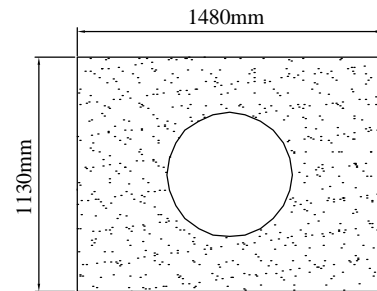
Tank Vertical Section  
(Through Section A-A)



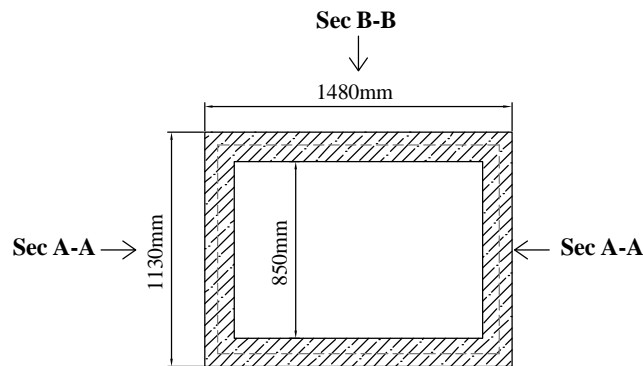
Tank Vertical Section  
(Through Section B-B)



Lid Section

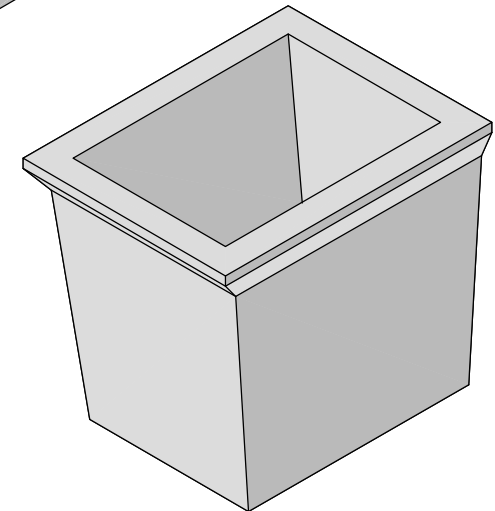



Lid Top Plan



Tank Top Plan

Standard 600mm manhole  
in center, other sizes and  
positions to order

from **MOLLOY PRECAST**

E-mail: [info@molloyprecast.com](mailto:info@molloyprecast.com)  
Web: [www.molloyprecast.com](http://www.molloyprecast.com)

Molloy Precast Products Ltd.  
Coleraine, Clara Road,  
Tullamore, Co.Offaly.  
Tel: 05793 26000  
Fax: 05793 26060

<b>Tank Type</b>	J Tank
<b>Tank Size</b>	1480mm x 1130mm
<b>Height</b>	1200mm ex. lid & manhole
<b>Volume</b>	850 liters
<b>Weight</b>	750 Kg. ex.lid
<b>(Tank Dim: ± 20mm. Weight: ± 30Kg.)</b>	

**Note:** See reverse for excavation details & safety regulations.

**Note:** Specify hole drilling requirements. All civil works by customer.

**Note:** Do NOT scale from drawings. Drawings for illustration purposes only.

This drawing is ©. All rights reserved.