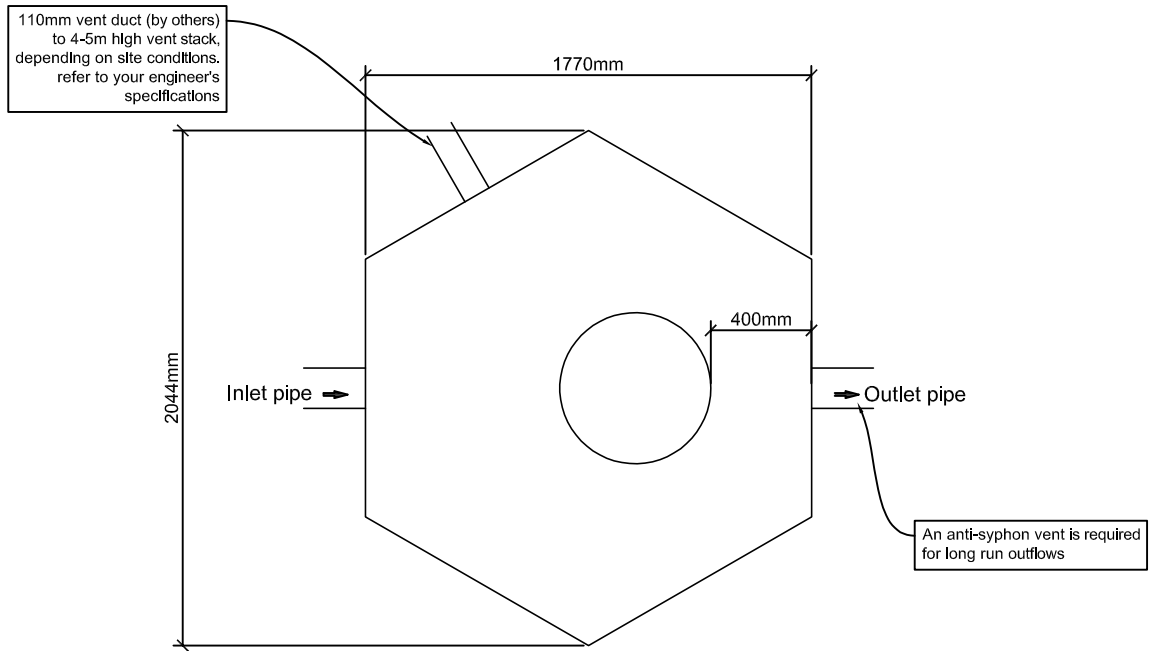


SECTION

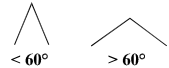


PLAN

MOLLOY
ENVIRONMENTAL SYSTEMS
 Clara Rd., Tullamore, Co. Offaly
 T: 057 9326000 E: Info@molloyprecast.com
 F: 057 9326060 W: www.molloyprecast.com



Tank lifting limitations:
 Max chain angle <math>< 60^\circ</math>



Damage caused by
 incorrect lifting is the
 responsibility of others

Notes:

- Observe all safety regulations in regard to excavation and lifting requirements. Never leave opening uncovered or unattended at any time
- Specify any specific requirements prior to ordering. All civil works by customer
- Do not scale from this drawing. Only for illustration purposes

Title: Full retention NS10 interceptor, EN858 Class 1

Drng. no.: FR-NS10-H+-140818

Nominal flow: 10 l/s

Area coverage: 555 sq. m

Max. silt capacity: 1,370 litres

Max. emergency oil retention: 460 litres

Date: 31/05/2019

Drawn by: SF **Checked by:**