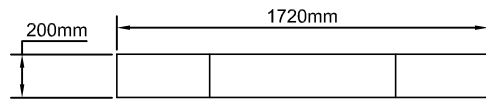
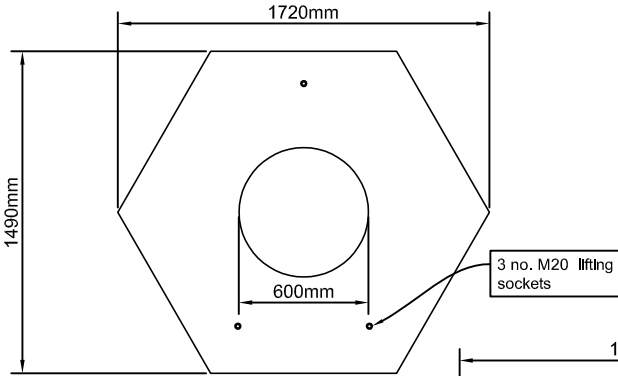


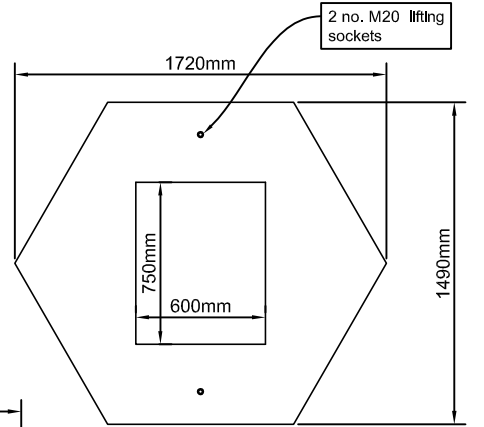
HEAVY DUTY LID ELEVATIONS



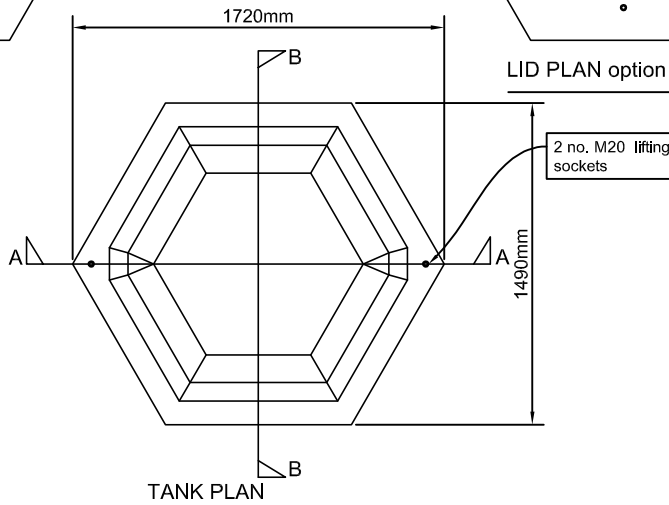
LIGHT DUTY LID ELEVATION



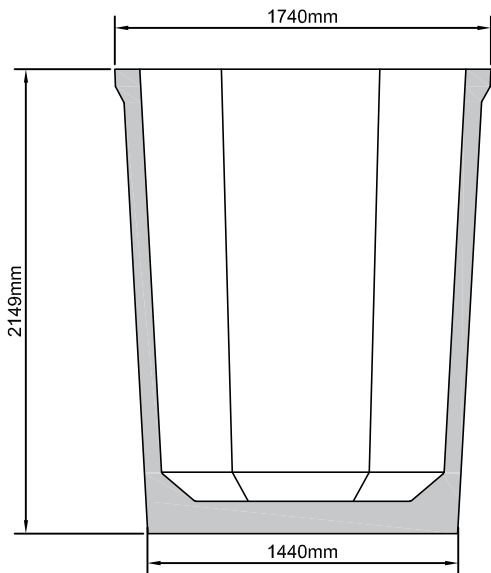
LID PLAN option 1: 600mm opening



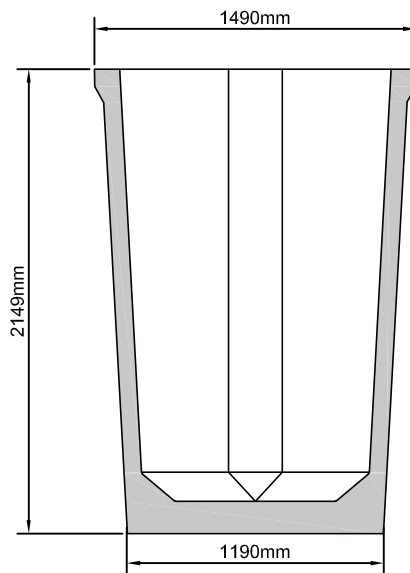
LID PLAN option 2: 750 X 600mm opening



TANK PLAN



TANK SECTION through A-A

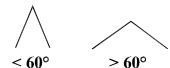


TANK SECTION through B-B

MOLLOY
 ENVIRONMENTAL SYSTEMS
 Clara Rd., Tullamore, Co. Offaly
 T: 057 9326000 E: Info@mollyprecast.com
 F: 057 9326060 W: www.mollyprecast.com



Tank lifting limitations:
 Max chain angle <math>< 60^\circ</math>



Damage caused by incorrect lifting is the responsibility of others

Notes:

- Observe all safety regulations in regard to excavation and lifting requirements. Never leave opening uncovered or unattended at any time
- Specify any specific requirements prior to ordering. All civil works by customer
- Do not scale from this drawing. Only for illustration purposes

Title: H tank & lids drawing

Drng. no.: PT-H-01-221118

Capacity: 2,500 litres

Weight: Tank - 1,870 kg

Lid, option 1 LD: 440 kg

Lid, option 1 HD: 730 kg

Lid, option 2 HD: 730 kg

Date: 22/11/2018

Drawn by: SF Checked by: KR