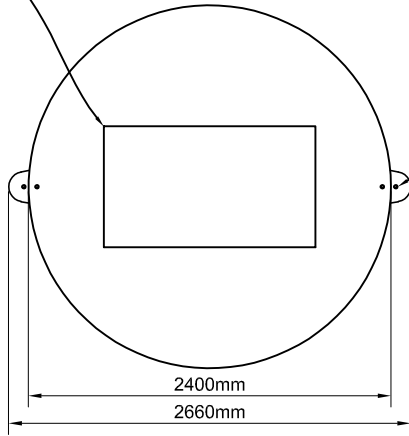
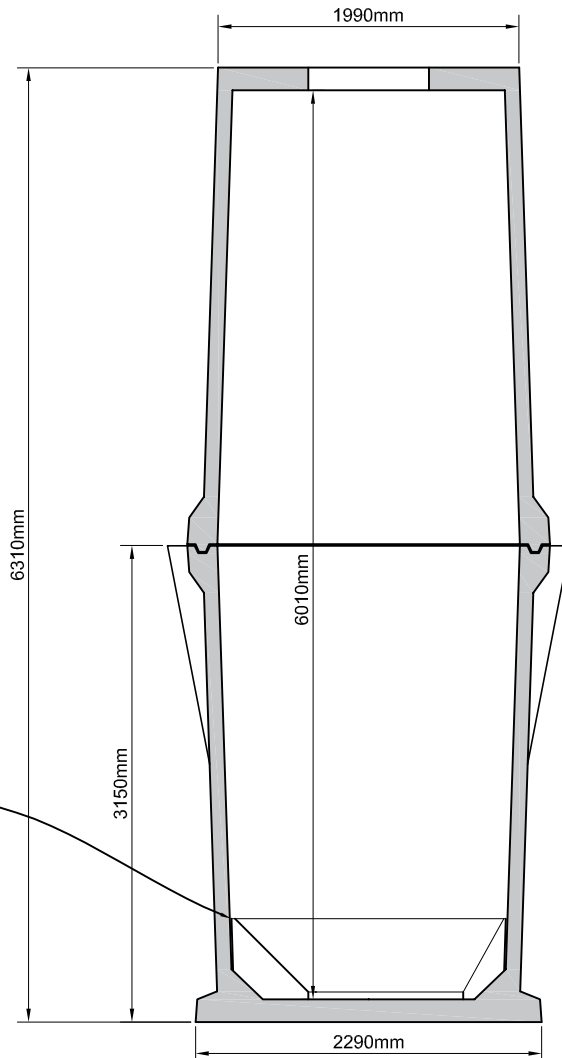


Manhole access sizes and locations can be customised to suit client requirements (refer to notes below)

2 no. lifting points per section



LID PLAN



TANK PLAN

Optional precast benching available for pump sumps

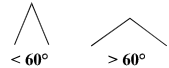
Available Cores	Core size	Max invert from base
	63mm	6,050mm
	110mm (4")	6,000mm
	160mm (6")	5,950mm
	250mm (9")	5,860mm
	315mm (12")	5,795mm

Available Manhole openings	
A	- 1,200 by 750mm
B	- 1,400 by 800mm

MOLLOY
ENVIRONMENTAL SYSTEMS
 Clara Rd., Tullamore, Co. Offaly
 T: 057 9326000 E: Info@mollyprecast.com
 F: 057 9326060 W: www.mollyprecast.com



Tank lifting limitations:
 Max chain angle < 60°



Damage caused by incorrect lifting is the responsibility of others

Notes:

- Observe all safety regulations in regard to excavation and lifting requirements. Never leave opening uncovered or unattended at any time
- Specify any specific requirements prior to ordering. All civil works by customer
- Do not scale from this drawing. Only for illustration purposes

Title: P6 - 6m high pump sump

Dr. no.: PT-P6-01-081119

Capacity: 17,000 litres

Weight: Upper section - kg

Lower section - kg

Date: 08/11/2019

Drawn by: SF Checked by: