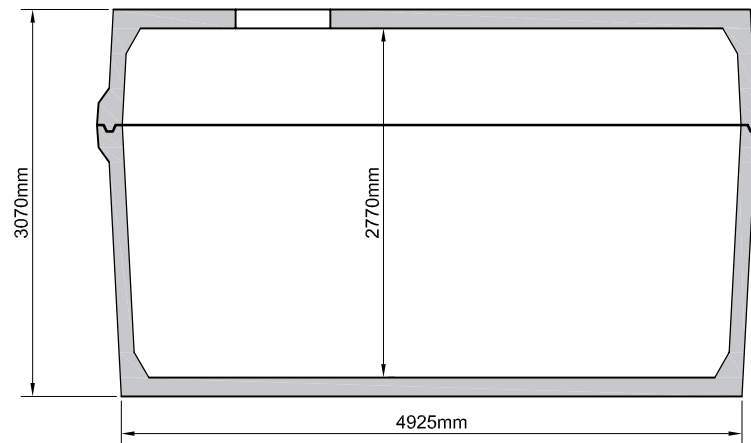
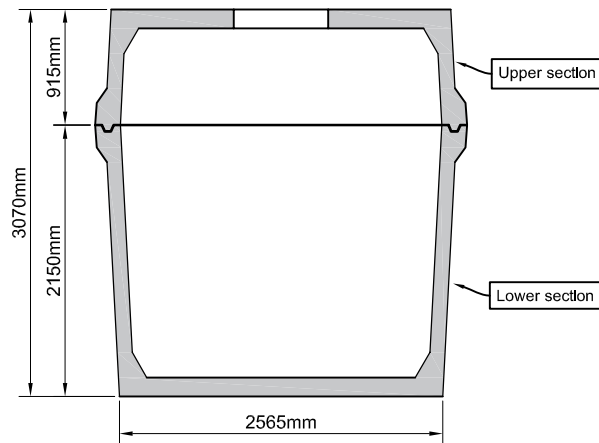


TANK PLAN



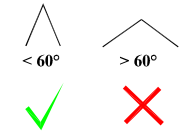
TANK SECTIONS

Available Cores	Core size	Max Invert from base
	63mm	2,810mm
	110mm (4")	2,760mm
	160mm (6")	2,710mm
	250mm (9")	2,630mm
	315mm (12")	2,560mm

**Available Manhole openings**

A - 600mm diameter  
 B - 600mm by 600mm  
 C - 700mm by 700mm  
 D - 1,200 by 750mm  
 E - 1,400 by 800mm

Tank lifting limitations:  
 Max chain angle < 60°



Damage caused by incorrect lifting is the responsibility of others

**Notes:**

- Observe all safety regulations in regard to excavation and lifting requirements. Never leave opening uncovered or unattended at any time
- Specify any specific requirements prior to ordering. All civil works by customer
- Do not scale from this drawing. Only for illustration purposes



Clara Rd., Tullamore, Co. Offaly  
 T: 057 9326000 E: info@molloyprecast.com  
 F: 057 9326060 W: www.molloyprecast.com



**Title:** Q tank Drawing  
**Drg. no.:** PT-Q-01-081119  
**Capacity:** 25,000 litres  
**Weight:** Upper section - 6,900kg  
 Lower section - 10,750kg  
**Date:** 08/11/2019  
**Drawn by:** SF **Checked by:**