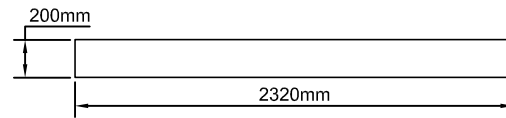
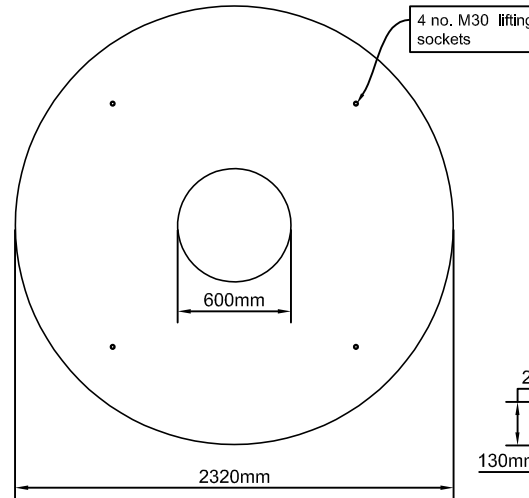


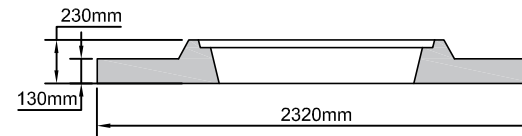
TANK PLAN



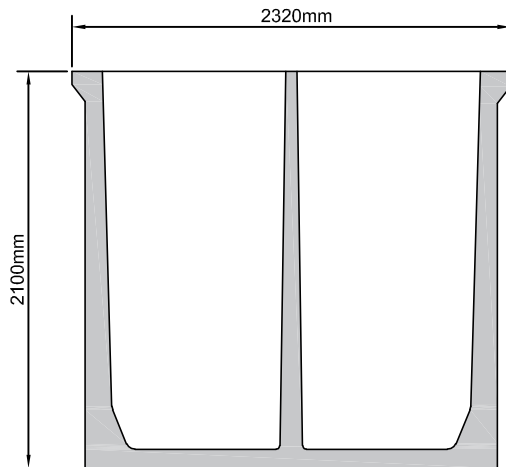
HEAVY DUTY LID ELEVATION



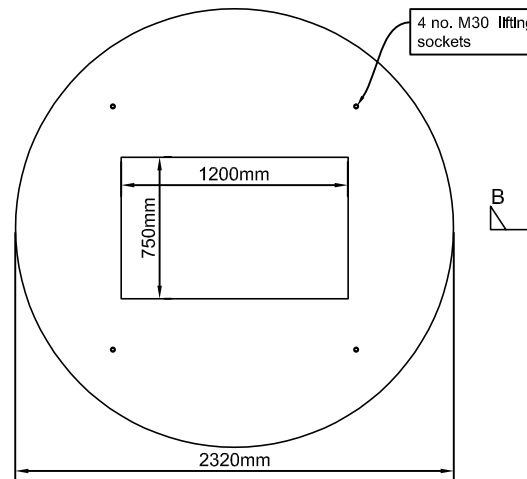
HEAVY DUTY LID PLAN option 1: 600mm opening



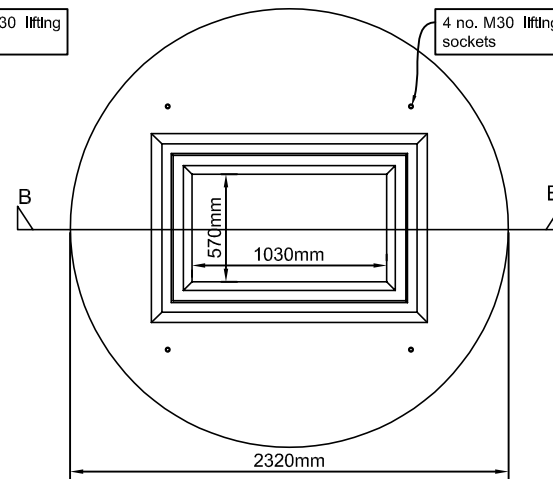
LIGHT DUTY LID SECTION through B-B



TANK SECTION through A-A



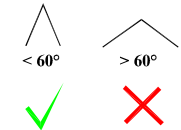
HEAVY DUTY LID PLAN option 2: 1,030 X 570mm opening



LIGHT DUTY LID PLAN option 3: 1,030 X 570mm opening

| Available Cores | Core size | Max invert from base |
|-----------------|-------------|----------------------|
| | 63mm | 1,850mm |
| | 110mm (4") | 1,800mm |
| | 160mm (6") | 1,750mm |
| | 250mm (9") | 1,670mm |
| | 315mm (12") | 1,600mm |

Tank lifting limitations:
Max chain angle < 60°



Damage caused by incorrect lifting is the responsibility of others

Notes:

- Observe all safety regulations in regard to excavation and lifting requirements. Never leave opening uncovered or unattended at any time
- Specify any specific requirements prior to ordering. All civil works by customer
- Do not scale from this drawing. Only for illustration purposes

MOLLOY
ENVIRONMENTAL SYSTEMS

Clara Rd., Tullamore, Co. Offaly

T: 057 9326000 E: info@molloyprecast.com

F: 057 9326060 W: www.molloyprecast.com



Title: S tank with wall & lids drawing

Drg. no.: PT-SW-01-201118

Capacity: 6,000 litres

Weight: Tank - 4,800 kg

Lid, option 1: 1,825 kg

Lid, option 2: 1,515 kg

Lid, option 3: 1,210 kg

Date: 20/11/2018

Drawn by: SF Checked by: KR