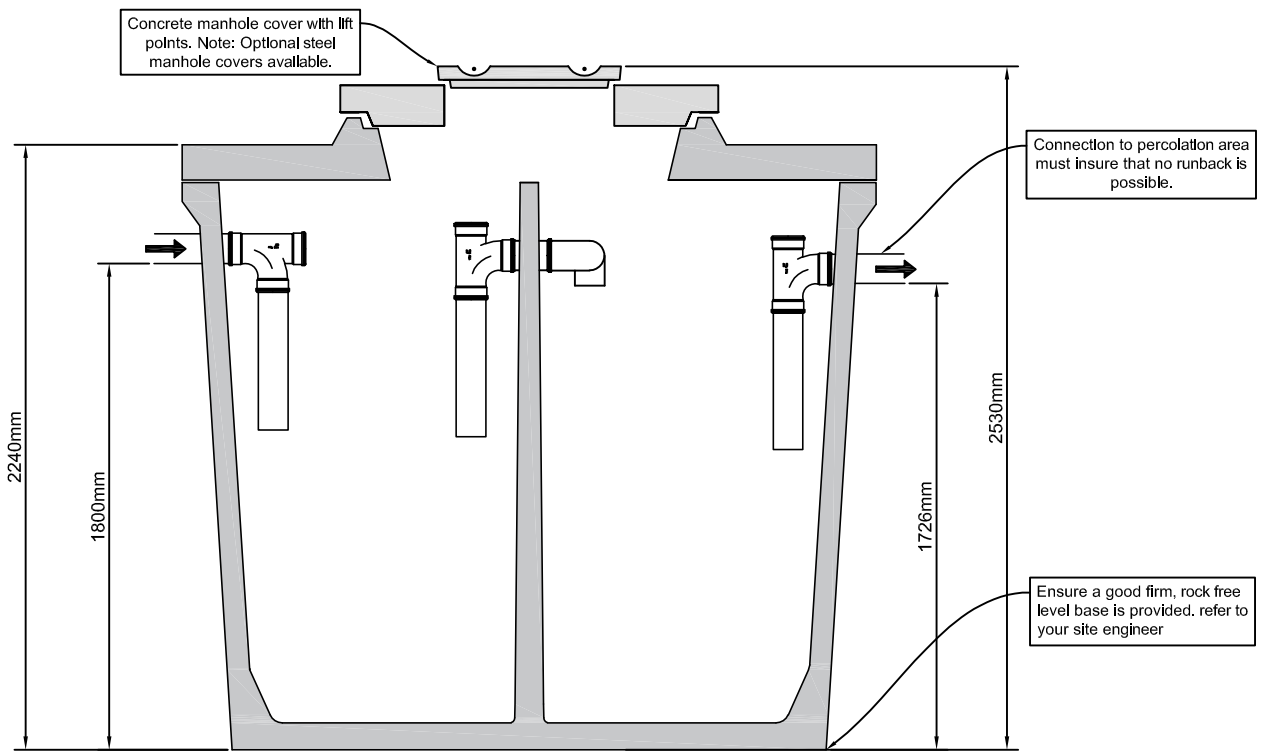


PLAN

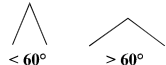


SECTION

MOLLOY
ENVIRONMENTAL SYSTEMS
Clara Rd., Tullamore, Co. Offaly
T: 057 9326000 E: Info@molloyprecast.com
F: 057 9326060 W: www.molloyprecast.com



Tank lifting limitations:
Max chain angle <math>< 60^\circ</math>



✓ ✗
Damage caused by
incorrect lifting is the
responsibility of others

Notes:

- Observe all safety regulations in regard to excavation and lifting requirements. Never leave opening uncovered or unattended at any time
- Specify any specific requirements prior to ordering. All civil works by customer
- Do not scale from this drawing. Only for illustration purposes

Title: Septic S+ Tank NS-5

Certification: EN 12566-1, hydraulic efficiency 99.84%

Tank Type: S+ Tank

Weight: 6,830kg

Dwg. no.: Septic_S+ tank_170619

Date: 17/06/2019

Drawn by: SF